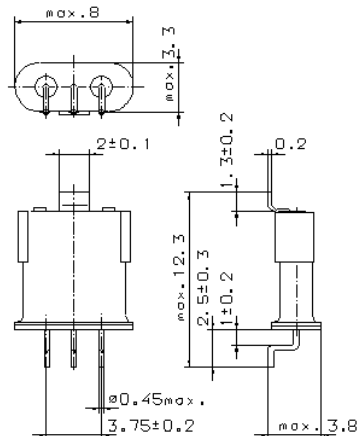


Specification for monolithic crystal filter

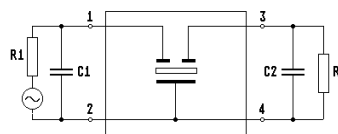
MQF 61.44-1500/01

1. General

1.1. Case:



GH9S1



- | | |
|-----------------------------------|-----------------------------|
| 1.2. Type name: | MQF 61.44-1500/01 |
| 1.3. Number of poles: | 2, 3 rd overtone |
| 1.4. Operating temperature range: | -20°C to +70°C |
| 1.5. Storage temperature range: | -35°C to +85°C |

2. Electric values

- | | |
|---|-----------------------------------|
| 2.1. Nominal centre frequency fo: | 61.44 MHz |
| 2.2. Pass band | |
| 2.2.1. Bandwidth between 3 dB - frequencies: | ≥ fo ± 7.5 kHz |
| 2.2.2. Ripple: | ≤ 1.0 dB at fo ± 5.0 kHz |
| 2.2.3. Insertion loss:
(measured on smallest attenuation in pass band) | ≤ 3.0 dB |
| 2.3. Stop band | |
| 2.3.1. fo ± 100 kHz | ≥ 30 dB (except spurious) |
| 2.3.2. fo ± 500 kHz | ≥ 40 dB (except spurious) |
| 2.4. Terminating impedance (input and output): | 3.0 kΩ // -0.7 pF |
| 3. Marking on the case: | firm, year week
61.44-1500/01 |
| 4. Environment conditions: | Corresponding to Telefilter CF001 |

Edited by: _____ date: _____ name: _____